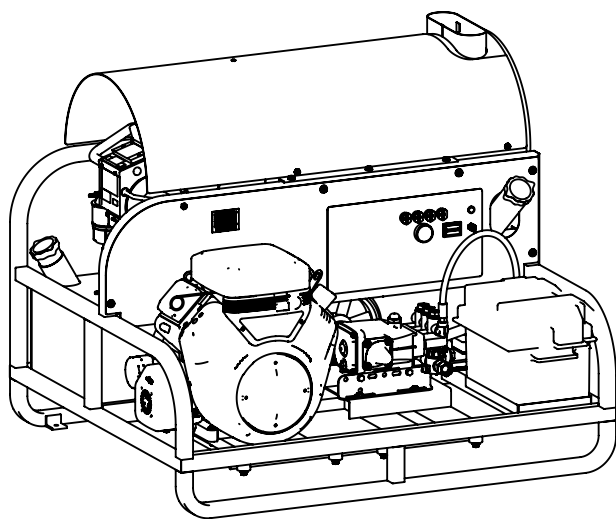


ITEM	PART NO.	DESCRIPTION	QTY
1	7105476	FRAME, DEWALT COBALT BLK	1
2	7106194	SUB-FRAME, SVC ASSY	1
2.1	7105478	SUB-FRAME, DEWALT COBALT BLK	1
2.2		DAMPER, VIBRATION	8
2.3		NUT, WHIZ 5/16-18	16
3	7107566	COIL TANK, SVC ASSY DEWALT SKID	1
3.1	7105480	WRAPPER, DEWALT COBALT COIL	1
3.2	7100006	INSULATION HARD DISC (#6) 1/2" x 18" DIA	1
3.3	7106207	INSULATION, 18" COIL 54" x 26" BLANKET	1
3.4	7100210	COIL, F/3005 SUPER-SKID	1
3.5	7106208	BURNER HEAD DISC, 18" DIA W/ 8" HOLE	2
3.6	7105481	DOMED HEAD, Ø18" COIL TANK	1
3.7	7105486	HEAT SHIELD, DEWALT COBALT	1
3.8	7100619	NIPPLE, 1/2" NPTM X 6" SCH. 80	2
3.9	7105765	PIPE CROSS, 1/2" NPTF	1
3.10	7105679	VALVE, RELIEF 1/2" NPTM x 1/4" HOSE BARB	1
3.11	7101283	THERMOSTAT PANEL MOUNT	1
3.12	7102372	NIPPLE, 3/8" NPTM x 3" SCH. 80	1
3.13	7100019	COUPLER, 3/8" NPTF x 3/8" QC-F	1
* 3.13.1	7100018	O-RING, SEAL SOCKET	1
3.14	7100353	REDUCER 1/2" NPTM x 3/8" NPTF	1
3.15	7101261	TEE, HYDRAULIC 1/2" NPTF	1
3.16	7105796	PLUG, SQUARE 1/2" NPTM	1
3.17		NUT, CLINCH, 1/4"-20	4
3.18		BOLT, 1/4"-20 x 3/4" FLANGE	4
3.19		SCREW, 5/16"-12 x 3/4" SELF-TAP	6
3.20		SCREW, #10 x 1/2" SELF-DRILLING	3
4	7106195	BURNER, SVC ASSY WAYNE DEWALT COBALT	1
4.1	7101975	WAYNE BURNER, 12V DC	1
4.2	7100423	1/4" HOSE BARB x 1/4" NPTM	1
4.3	7100607	NIPPLE, 1/4" x CLOSE	1
4.4	7100286	ELBOW, 1/4" NPTM x 1/4" NPTF STREET	1
4.5	7100648	NOZZLE, FUEL 2.25 x 80° B	1
4.6		WASHER, 5/16"	3
4.7		NUT, WHIZ 5/16-18	3
5	7106196	GAS TANK, SVC ASSY	1
5.1	7105488	TANK, DEWALT COBALT GAS	1
5.2	7100284	ELBOW, 1/4" HB x 1/4" NPTM	2
5.3	7102406	PLUG, SQUARE HEAD 1/4" NPTM	1
5.4	7105659	FUEL CAP, NON-VENTED W/ CHAIN	1
5.5		SCREW, 5/16"-12 x 3/4" SELF-TAP	1
6	7106197	DIESEL TANK, SVC ASSY	1
6.1	7105489	TANK, DEWALT COBALT DIESEL	1
6.2	7100284	ELBOW, 1/4" HB x 1/4" NPTM	2
6.3	7102406	PLUG, SQUARE HEAD 1/4" NPTM	1
6.4	7100189	FUEL CAP	1
6.5		SCREW, 5/16"-12 x 3/4" SELF-TAP	1
7	7105483	PANEL SVC ASSY, CONTROL	1
7.1	7105484	PANEL, CONTROL DEWALT COBALT	1
7.2	7100534	NAME PLATE, METAL DEWALT	1
7.3	7101283	THERMOSTAT, PANEL MOUNT	1
7.4	7101818	METER, HOUR 12-24V DC	1
7.5	7101221	SWITCH, TOGGLE 20A	1
7.6	7100561	INDICATOR LIGHT, GREEN 12V DC	1
7.7		INSERT, 5/16" - 18 NUT	6
7.8		WASHER, FLAT 5/16"	6
7.9		BOLT, 5/16"-18 x 3/4"	6
8	7100151	BATTERY BOX W/ 42" STRAP	1
9	7105658	EXIDE BATTERY, 12V	1

ITEM	PART NO.	DESCRIPTION	QTY
10	7100319	ENGINE, 18HP VANGUARD	1
10.1	7100522	KEY, 5HP ELECTRIC & LG GAS 1/4" x 1 3/4"	1
11	7103701	HARDWARE KIT, ENGINE COBALT	1
11.1		BOLT, 5/16" - 18 x 1 1/2"	2
11.2		BOLT, 5/16"-18 x 1 3/4"	2
11.3		WASHER, 5/16"	4
11.4		NUT, WHIZ 5/16-18	4
12	7106139	PUMP, SVC ASSY CAT	1
12.1	7105612	PUMP, 3500PSI @ 5.5GPM BELT DRIVE	1
12.2	7102530	COVER, SHAFT FOR CAT PUMP	1
12.3	7100051	INLET FITTING, 1/2" NPTM x 3/4" GHT	1
12.4	7102176	WATER FILTER GREEN CAP	1
12.5	7100287	ELBOW, 3/8" NPTM x 3/8" NPTF	1
12.6	7100354	REDUCER, 1/2" NPTM x 3/8" NPTF	1
12.7	7105768	ELBOW, 5/8" HOSE BARB x 3/8" NPTM	1
12.8	7103089	KEY, M6 x 6 x 25MM	1
13	7106199	MOUNTING KIT, SVC ASSY CAT BELT-DRIVE	1
† 13.1		MOUNTING KIT, CAT BELT-DRIVE RAIL	1
† 13.2		BOLT, 5/16"-18 x 1"	4
† 13.3		WASHER, 5/16"	4
† 13.4		J-BOLT, 5"	1
† 13.5		NUT, WHIZ 5/16-18	5
14	7100010	UNLOADER, SVC ASSEMBLY RETROFIT 4000PSI	1
14.1	7101311	UNLOADER, PULSAR 4000	1
14.2	7105768	ELBOW, 5/8" HOSE BARB x 3/8" NPTM	1
14.3	7100287	ELBOW, 3/8" NPTM x 3/8" NPTF	2
14.4	7200234	PRESSURE SWITCH 3/8" M	1
14.5	7101604	REDUCER, 3/8" NPTM x 1/4" NPTF	1
14.6	7100157	BRACKET, UNLOADER VALVE	1
† 14.7		BOLT, 5/16"-18 x 3/4"	2
† 14.8		NUT, WHIZ 5/16-18	2
15	7106200	NOZZLE, SVC ASSEMBLY	1
15.1	7100389	GROMMET, 7/16" RUBBER	4
15.2	7100668	NOZZLE, SOAP	1
15.3	7100030	NOZZLE, 5.5 x 15° YELLOW	1
15.4	7100031	NOZZLE, 5.5 x 25° GREEN	1
15.5	7100032	NOZZLE, 5.5 x 40° WHITE	1
16	7100184	BUSHING, 20MM H	1
17	7101012	PULLEY 2BK36H	1
18	7100173	BUSHING, H x 1	1
19	7200238	PULLEY 2BK80H	1
20	7102387	BX 41, BELT	2
21	7100141	BOX COVER, 2" x 4"	1
22	7100284	ELBOW, 1/4" HB x 1/4" NPTM	1
23	7100332	FILTER ASSEMBLY	1
* 23.1	7100333	FUEL FILTER REPLACEMENT ELEMENT	1
24	7104725	HOSE, 5/8" PARKER PUSH-LOK	1
25	7103245	HOSE 3/8" x 20" SWVL	1
26	7200109	HOSE, 3/8" x 30" R2	1
27	7100393	SPRAY GUN 5000PSI @ 10GPM	1
28	7100551	LANCE, 48" INSULATED	1
* 28.1	7100021	COUPLER, 1/4" NPTF x 1/4" QC-F	1
* 28.2	7100018	O-RING, SEAL SOCKET	1
29	7107495	HOSE, 3/8" x 50' x 4500PSI RUBBER	1
30	7103709	CHEMICAL INJECTOR KIT #2	1
* 31	7102045	TOOL, NOZZLE CLEANING, UNIVERSAL	1
* 32	7105366	MANUAL, DEWALT SKID OPERATOR'S	1
* 33	7100146	BOX, 47" x 44 1/2" x 50" SHIPPING	1

* NOT SHOWN
† NOT SOLD SEPERATELY



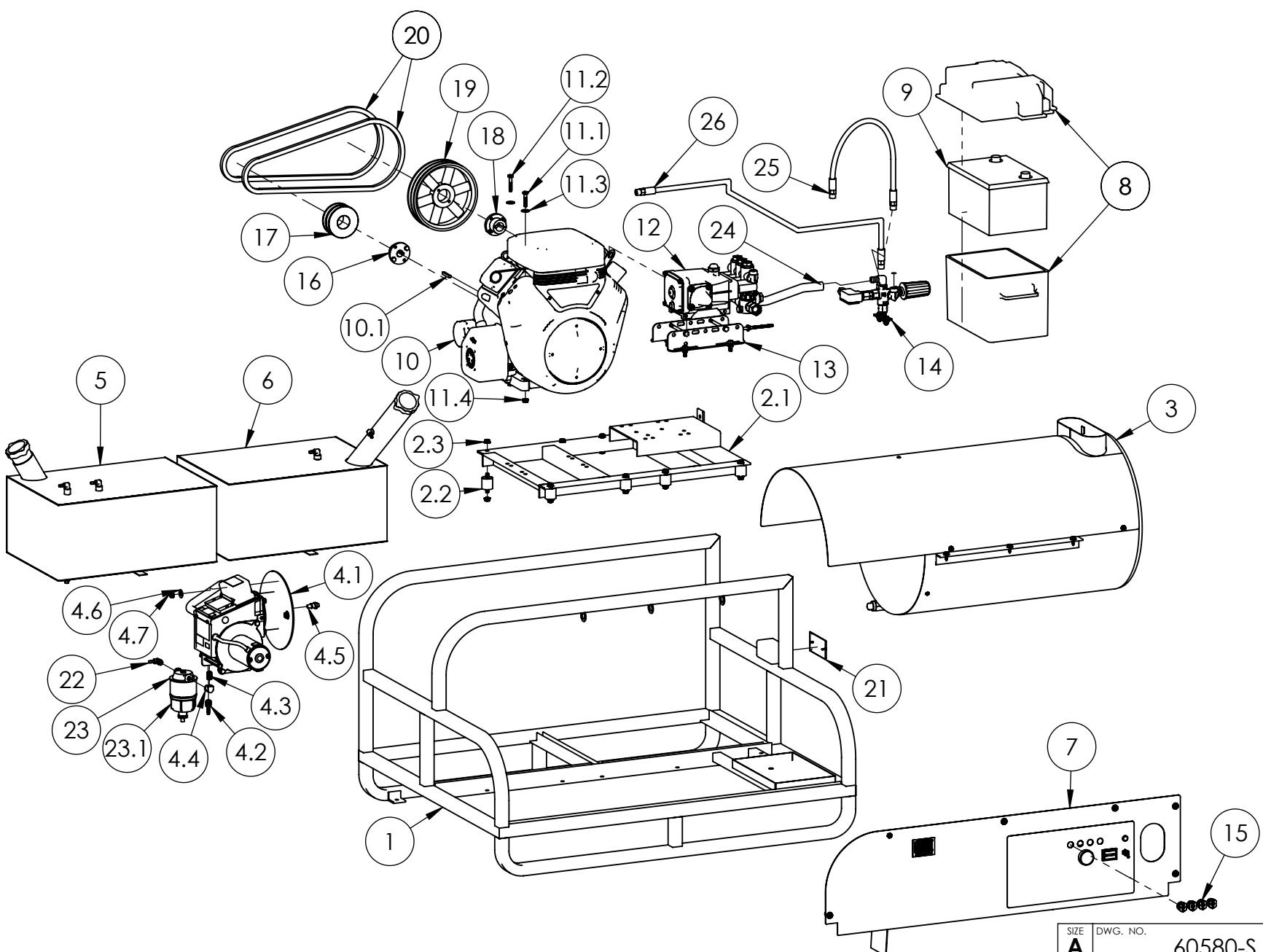
PUMP IDENTIFICATION TABLE			
MACHINE SERIAL NO.	PUMP MODEL	PUMP PART NO.	PUMP KIT NO.
	5CP5140	7105612	7106139

NAME	DATE
DRAWN TV	1/29/2014
CHECKED M.G.	1/30/2014
ENG APPR. S.A.C.	1/30/2014
MFG APPR. -	-
Q.A. APPR. K.B.	1/30/2014
SERVICE APPR. D.H.	11/28/2012

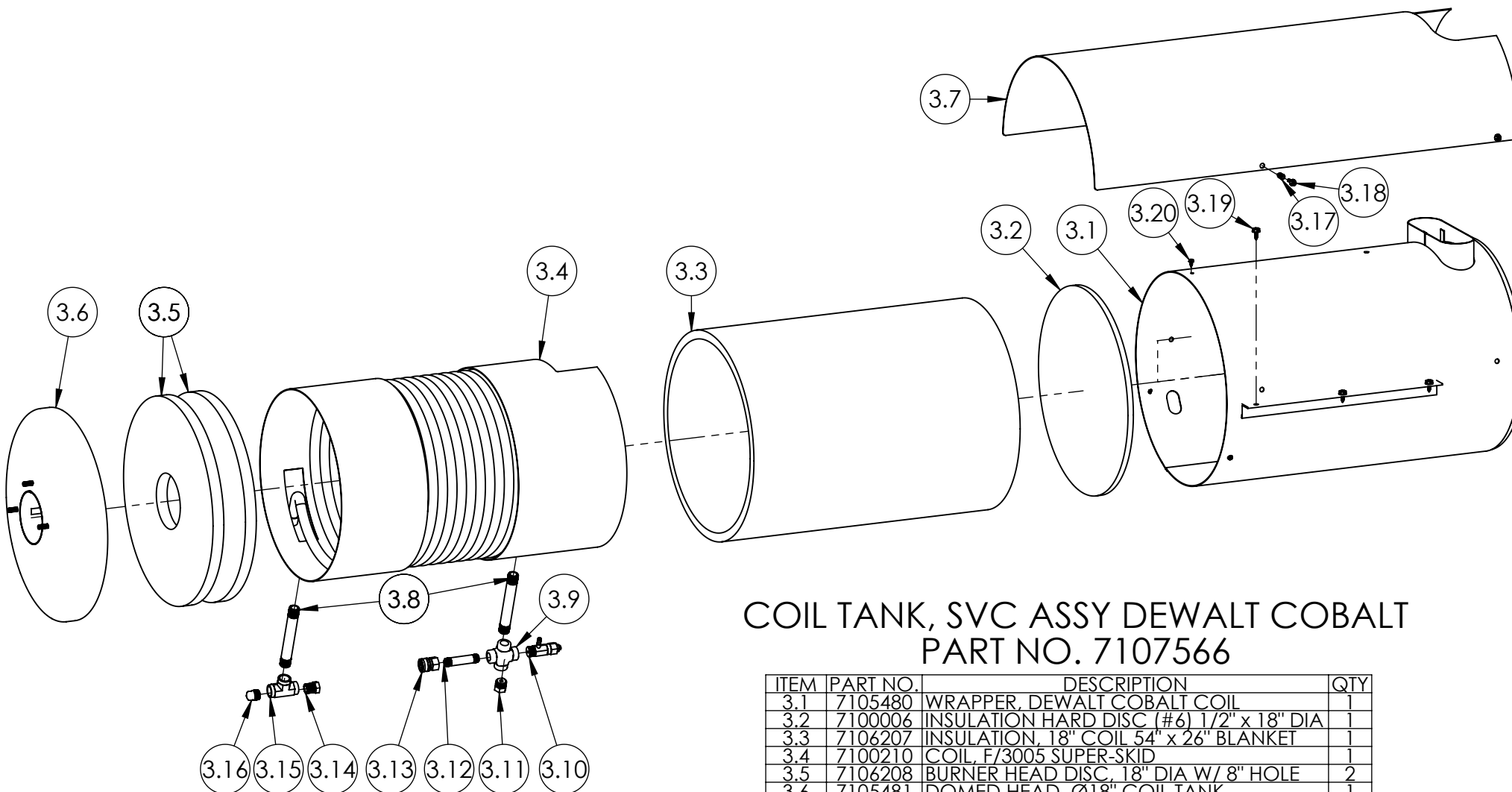
FNA-GROUP	
1265 INDUSTRIAL STREET, DECATUR, AR 72722	
TITLE:	
DXPWH3650 DEWALT COBALT SKID	
SIZE	DWG. NO.
A	60580-S
SCALE: N/A	ECN# DC14-0039
REV. B	SHEET 1 OF 12

PROPRIETARY AND CONFIDENTIAL	
THE INFORMATION CONTAINED IN THIS DRAWING IS THE SOLE PROPERTY OF FNA-GROUP. ANY REPRODUCTION IN PART OR AS A WHOLE WITHOUT THE WRITTEN PERMISSION OF FNA-GROUP IS PROHIBITED.	

REV.	DESCRIPTION	REVISIONS	ECN#	APPROVED	DATE
A	NEW RELEASE		DC12-0121	M.G.	11/29/2012
B	CHANGED 50' HOSE, FUEL NOZZLE, & COSMETICS		DC14-0039	S.A.C.	1/30/2014

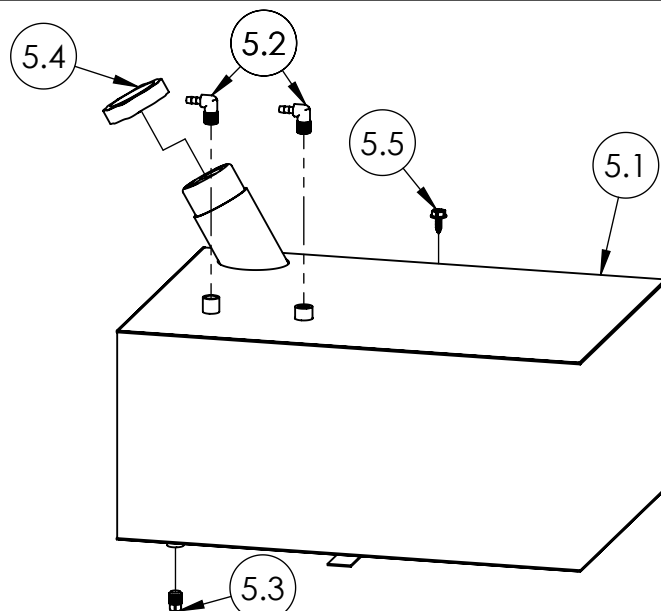


SIZE	DWG. NO.	REV.
A	60580-S	B
SCALE: N/A	ECN# N/A	SHEET 2 OF 12



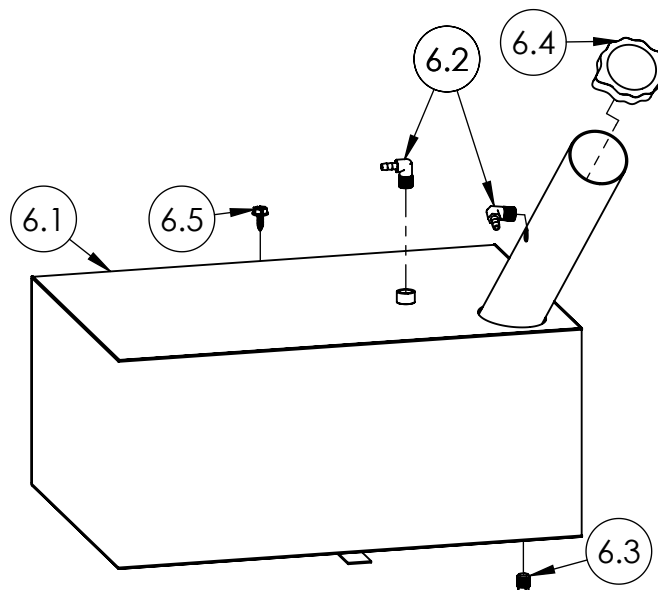
COIL TANK, SVC ASSY DEWALT COBALT PART NO. 7107566

ITEM	PART NO.	DESCRIPTION	QTY
3.1	7105480	WRAPPER, DEWALT COBALT COIL	1
3.2	7100006	INSULATION HARD DISC (#6) 1/2" x 18" DIA	1
3.3	7106207	INSULATION, 18" COIL 54" x 26" BLANKET	1
3.4	7100210	COIL, F/3005 SUPER-SKID	1
3.5	7106208	BURNER HEAD DISC, 18" DIA W/ 8" HOLE	2
3.6	7105481	DOMED HEAD, Ø18" COIL TANK	1
3.7	7105486	HEAT SHIELD, DEWALT COBALT	1
3.8	7100619	NIPPLE, 1/2" NPTM X 6" SCH. 80	2
3.9	7105765	PIPE CROSS, 1/2" NPTF	1
3.10	7105679	VALVE, RELIEF 1/2" NPTM x 1/4" HOSE BARB	1
3.11	7101283	THERMOSTAT PANEL MOUNT	1
3.12	7102372	NIPPLE, 3/8" NPTM x 3" SCH. 80	1
3.13	7100019	COUPLER, 3/8" NPTF x 3/8" QC-F	1
3.13.1	7100018	O-RING, SEAL SOCKET	1
3.14	7100353	REDUCER 1/2" NPTM x 3/8" NPTF	1
3.15	7101261	TEE, HYDRAULIC 1/2" NPTF	1
3.16	7105796	PLUG, SQUARE 1/2" NPTM	1
3.17		NUT, CLINCH, 1/4"-20	4
3.18		BOLT, 1/4"-20 x 3/4" FLANGE	4
3.19		SCREW, 5/16"-12 x 3/4" SELF-TAP	6
3.20		SCREW, #10 x 1/2" SELF-DRILLING	3



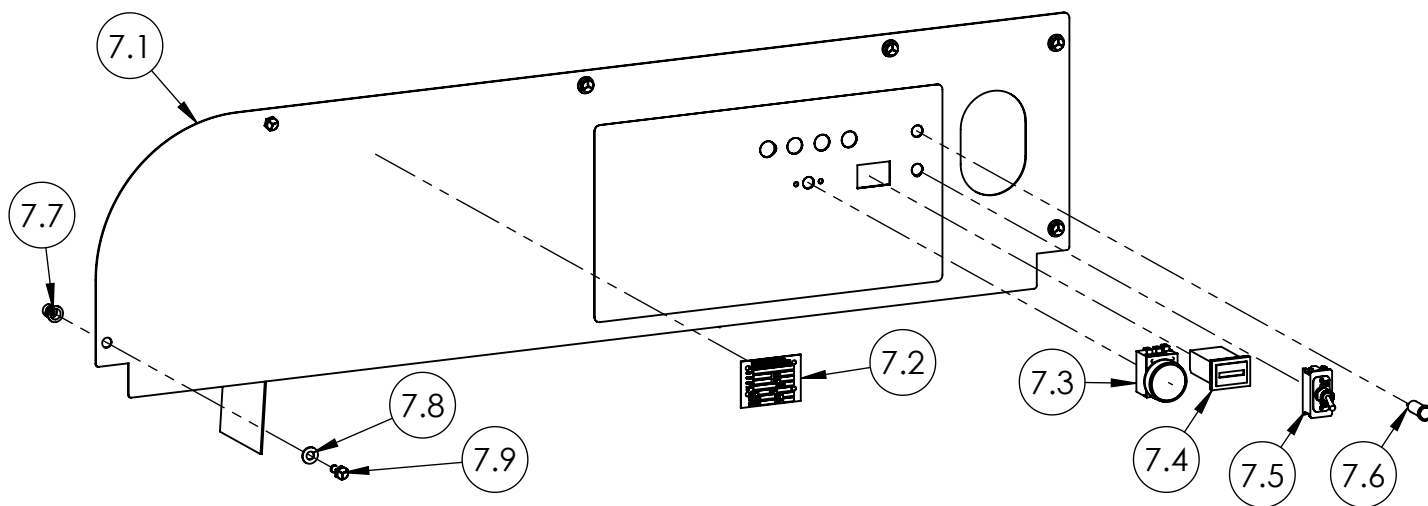
GAS TANK, SVC ASSY DEWALT COBALT
PART NO. 7106197

ITEM	PART NO.	DESCRIPTION	QTY
5.1	7105489	TANK, DEWALT COBALT DIESEL	1
5.2	7100284	ELBOW, 1/4" HB x 1/4" NPTM	2
5.3	7102406	PLUG, SQUARE HEAD 1/4" NPTM	1
5.4	7100189	FUEL CAP	1
5.5		SCREW, 5/16"-12 x 3/4" SELF-TAP	1



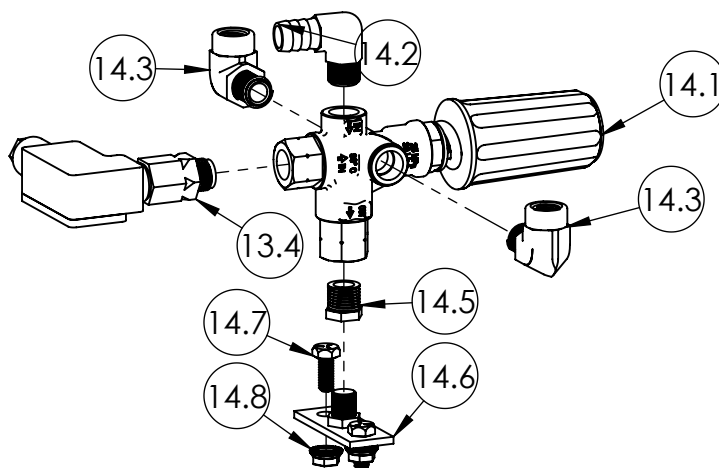
DIESEL TANK, SVC ASSY DEWALT COBALT
PART NO. 7106196

ITEM	PART NO.	DESCRIPTION	QTY
6.1	7105488	TANK, DEWALT COBALT GAS	1
6.2	7100284	ELBOW, 1/4" HB x 1/4" NPTM	2
6.3	7102406	PLUG, SQUARE HEAD 1/4" NPTM	1
6.4	7105659	FUEL CAP, NON-VENTED W/ CHAIN	1
6.5		SCREW, 5/16"-12 x 3/4" SELF-TAP	1



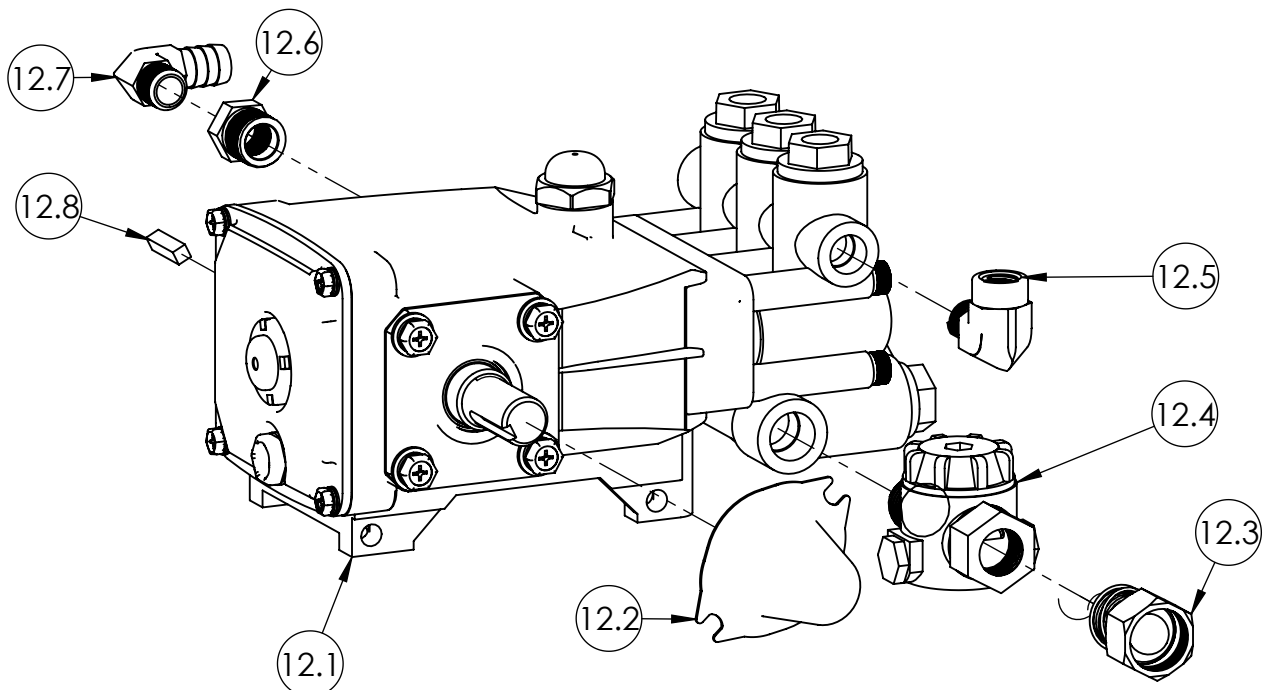
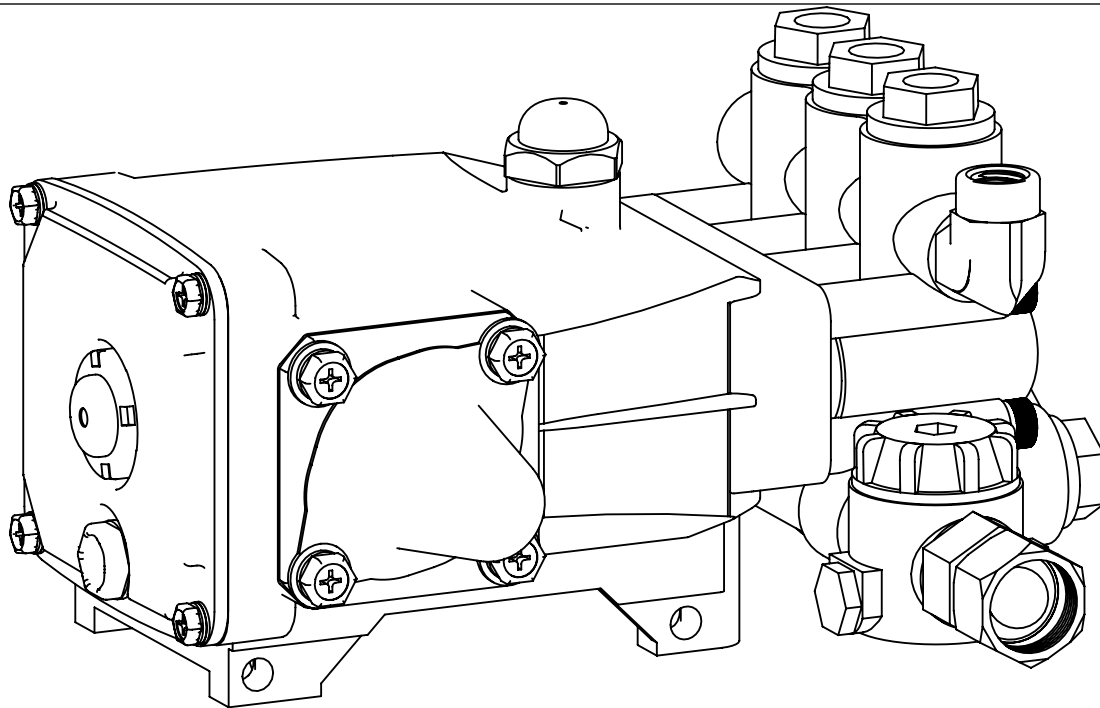
**CONTROL PANEL, SVC ASSY DEWALT COBALT
PART NO. 7105483**

ITEM	PART NO.	DESCRIPTION	QTY
7.1	7105484	PANEL, CONTROL DEWALT COBALT	1
7.2	7100534	NAME PLATE, METAL DEWALT	1
7.3	7101283	THERMOSTAT, PANEL MOUNT	1
7.4	7101818	METER, HOUR 12-24V DC	1
7.5	7101221	SWITCH, TOGGLE 20A	1
7.6	7100561	INDICATOR LIGHT, GREEN 12V DC	1
7.7		INSERT, 5/16" - 18 NUT	6
7.8		WASHER, FLAT 5/16"	6
7.9		BOLT, 5/16"-18 x 3/4"	6



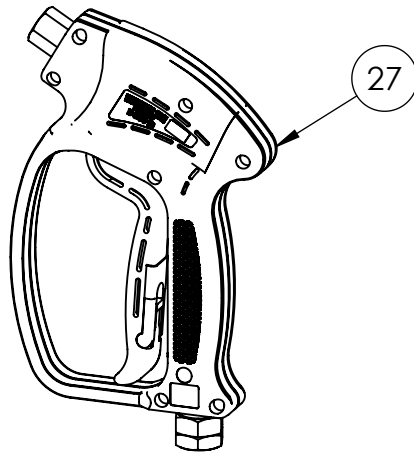
**UNLOADER, SVC ASSY RETROFIT 4000PSI
PART NO. 7106302**

ITEM	PART NO.	DESCRIPTION	QTY
14.1	7101311	UNLOADER, PULSAR 4000	1
14.2	7105768	ELBOW, 5/8" HOSE BARB x 3/8" NPTM	1
14.3	7100287	ELBOW, 3/8" NPTM x 3/8" NPTF	2
14.4	7200234	PRESSURE SWITCH 3/8" M	1
14.5	7101604	REDUCER, 3/8" NPTM x 1/4" NPTF	1
14.6	7100157	BRACKET, UNLOADER VALVE	1
14.7		BOLT, 5/16"-18 x 3/4"	2
14.8		NUT, WHIZ 5/16-18	2

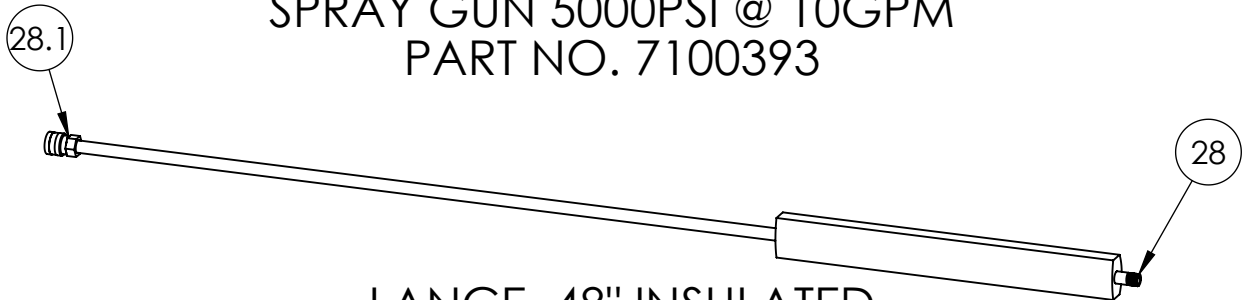


**CAT PUMP, SVC ASSY DEWALT COBALT
PART NO. 7106139**

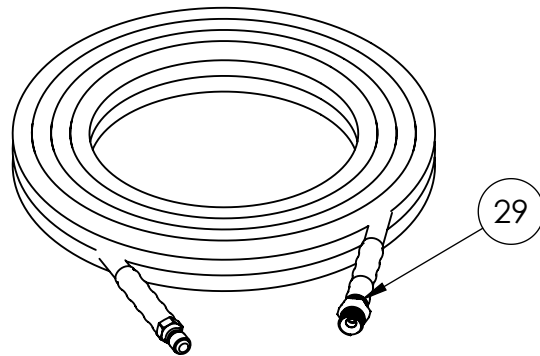
ITEM	PART NO.	DESCRIPTION	QTY
12.1	7105612	PUMP, 3500PSI @ 5.5GPM BELT DRIVE	1
12.2	7102530	COVER, SHAFT FOR CAT PUMP	1
12.3	7100051	INLET FITTING, 1/2" NPTM x 3/4" GHT	1
12.4	7102176	WATER FILTER GREEN CAP	1
12.5	7100287	ELBOW, 3/8" NPTM x 3/8" NPTF	1
12.6	7100354	REDUCER, 1/2" NPTM x 3/8" NPTF	1
12.7	7105768	ELBOW, 5/8" HOSE BARB x 3/8" NPTM	1
12.8	7103089	KEY, M6 x 6 x 25MM	1



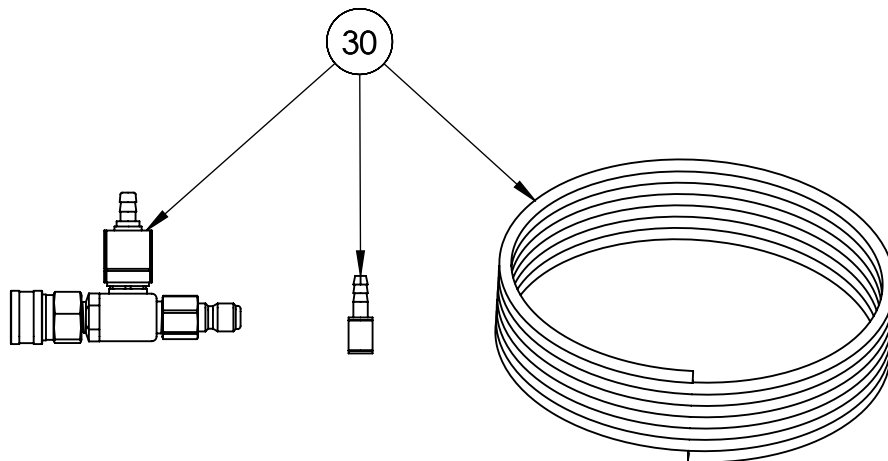
SPRAY GUN 5000PSI @ 10GPM
PART NO. 7100393



LANCE, 48" INSULATED
PART NO. 7100551



HOSE, 3/8" x 50' x 4500PSI RUBBER
PART NO. 7107495

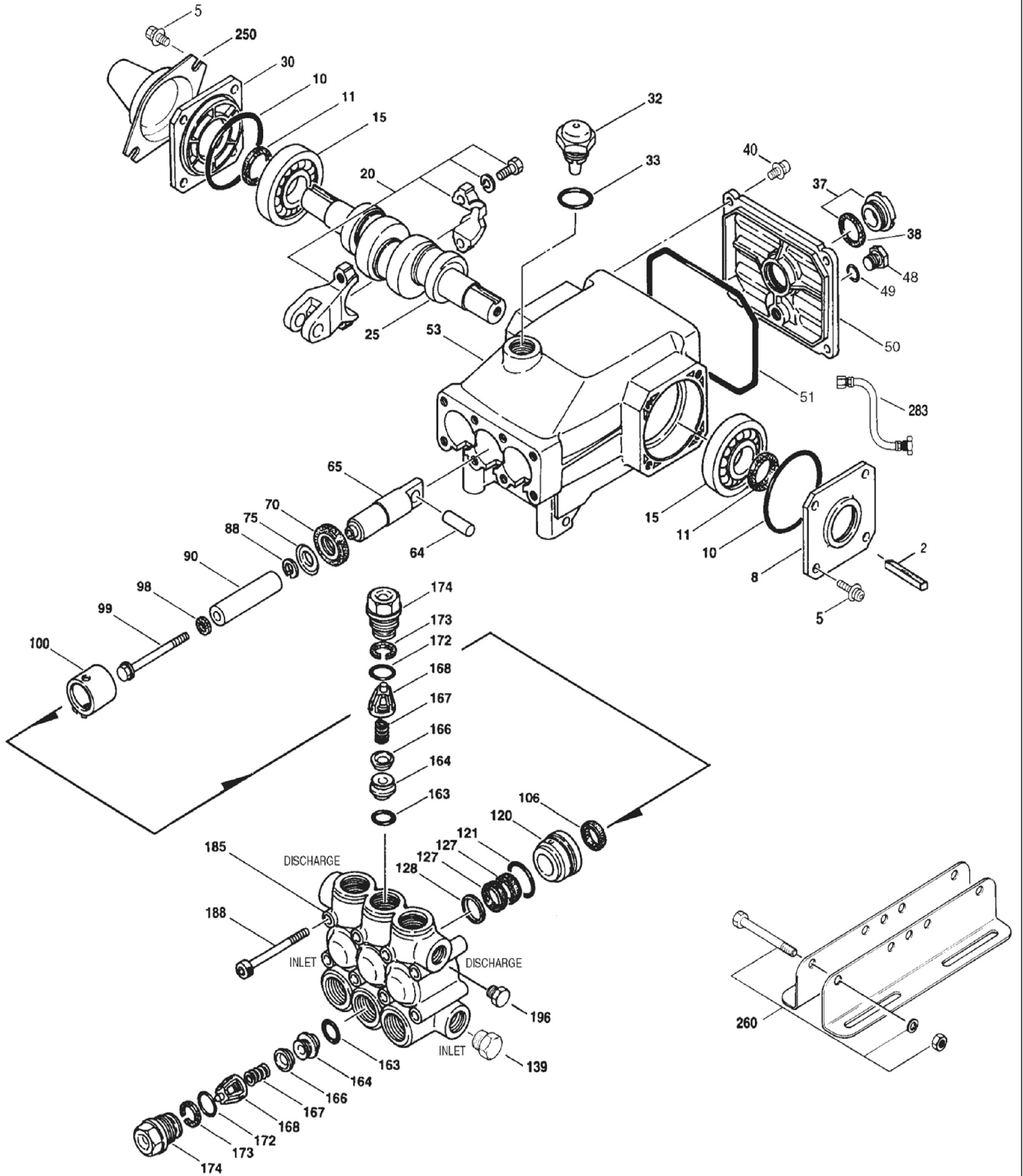


CHEMICAL INJECTOR KIT #2
PART NO. 7103709

SIZE	DWG. NO.	REV.
A	60580-S	B
SCALE: N/A	ECN#	DC14-0039
SHEET 7 OF 12		

MODEL NO.
5CP5140

FNA PART NO.
7105612



DC12-0126 REV. B FNA GROUP

SIZE	DWG. NO.	REV.
A	60580-S	B
SCALE:	N/A ECN#	DC14-0039
SHEET 8 OF 12		

MODEL NO.
5CP5140

FNA PART NO.
7105612

PARTS LIST

ITEM	PART NO.	DESCRIPTION	QTY
2	7103089	KEY (M6 x 6 x 25)	1
5	7105999	SCREW, HHC SEMS, (M8 x 16)	8
8	7106000	COVER, BEARING	1
10	7106001	O-RING, BEARING COVER, 70D	2
11	7102772	SEAL, OIL	2
15	7102620	BEARING, BALL	2
20	7106002	ROD, CONNECTING ASSY	3
25	7106026	CRANKSHAFT, DUAL END	1
30	7106027	COVER, BEARING BUND	1
32	7102922	CAP, OIL FILLER, DOMED	1
33	7102617	O-RING, OIL FILLER CAP - 70D	1
37	7103056	GUAGE, OIL, BUBBLE W/GASKET	1
38	7102970	GASKET, FLAT OIL GUAGE	1
40	7103054	SCREW (M6 x 16)	4
48	7103117	PLUG, DRAIN, 1/4" x 19BSP	1
49	7106005	O-RING, DRAIN PLUG	1
50	7106006	REAR, COVER	1
51	7102615	O-RING, BEARING CASE	1
53	7106007	CRANKCASE	1
64	7106008	PIN, CROSSHEAD	3
65	7106009	ROD, PLUNGER	3
70	7101701	SEAL, OIL CRANKCASE	3
75	7106028	SLINGER, BARRIER	3
88	7102848	WASHER, KEYHOLE	3
90	7106029	PLUNGER	3
98	N/A	WASHER, SEAL	3
99	7101705	RETAINER PLUNGER	3
100	7101704	RETAINER SEAL	3

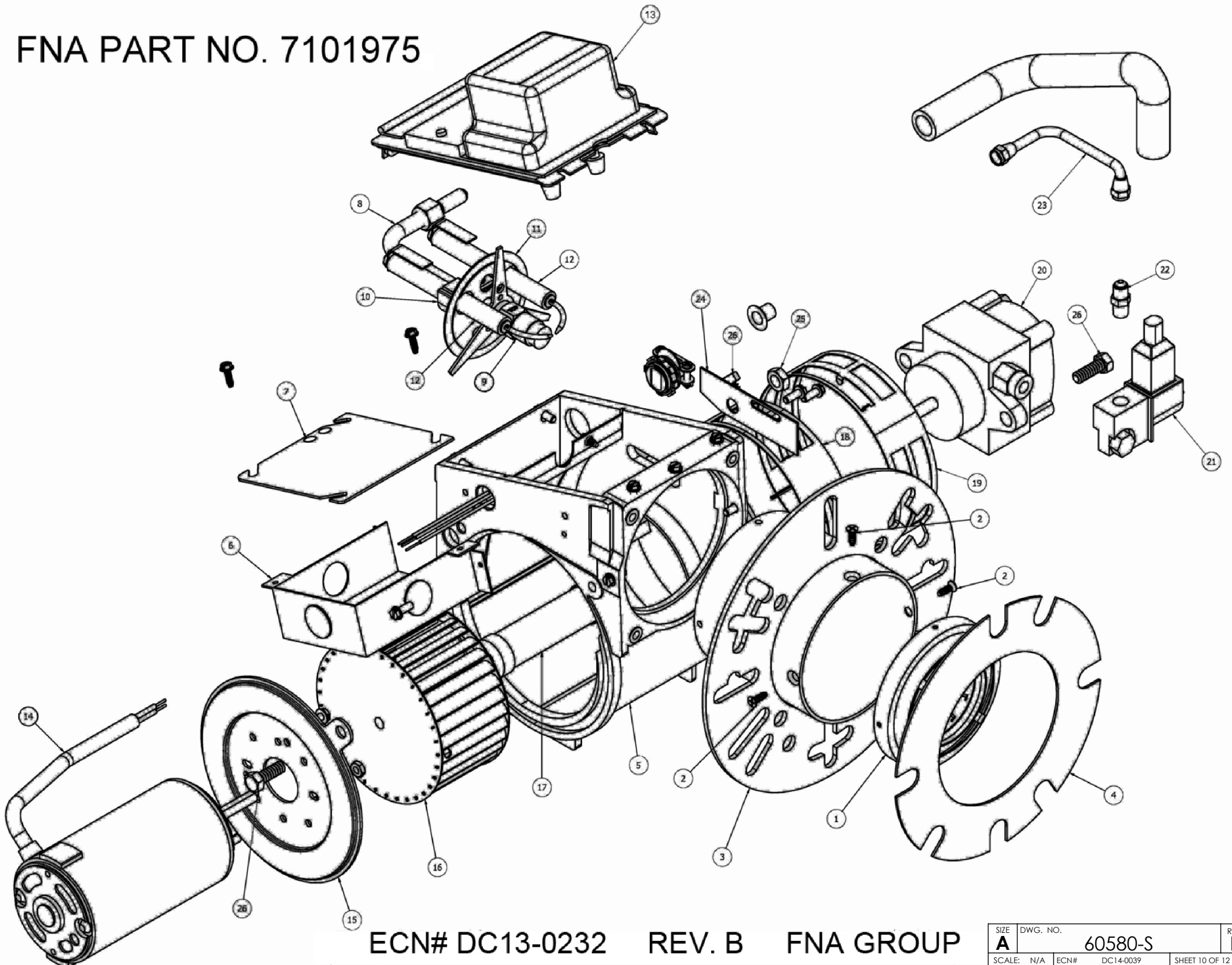
ITEM	PART NO.	DESCRIPTION	QTY
106	N/A	SEAL, LPS WITH S-SPG	3
120	7106031	CASE, SEAL	3
121	N/A	O-RING, SEAL CASE	3
127	N/A	V-PACKING	6
128	N/A	ADAPTOR, MALE	3
139	7106012	PLUG, INLET 1/2" NPTM	1
163	N/A	O-RING SEAT	6
164	N/A	SEAT	6
166	N/A	VALVE	6
167	N/A	SPRING	6
168	7100862	RETAINER, SPRING	6
172	N/A	O-RING, VALVE PLUG	6
173	N/A	BACK-UP RING, VALVE PLUG	6
174	7103043	PLUG, VALVE	6
185	7106034	HEAD, MANIFOLD	1
188	7106016	SCREW, HSH (M8 x 70)	8
196	7106017	PLUG, DISCHARGE 3/8" NPTM	1
250	7106035	PROJECTOR, SHAFT	1
255	7105616	MOUNT, DIRECT	1
260	7105613	MOUNT, RAIL, ASSEMBLY	1
265	7106036	KIT, COMPLETE MOUNTING	1
275	7106037	ASSEMBLY, HUB & KEY	1
283	7106018	KIT, OIL DRAIN	1
299	7106024	HEAD COMPLETE	1
300	7106025	KIT, SEAL (98, 106, 121, 127)	1
310	7103121	KIT, VALVE (163, 164, 166-168, 172, 173)	2
350	7106020	PLIERS, REVERSE	1

N/A - NOT SOLD SEPERATELY

DC12-0126 REV. B FNA GROUP

SIZE A	DWG. NO. 60580-S	REV. B
SCALE: N/A	ECN# DC14-0039	SHEET 9 OF 12

FNA PART NO. 7101975



ECN# DC13-0232

REV. B

FNA GROUP

SIZE	DWG. NO.	REV.
A	60580-S	B
SCALE:	N/A	ECN#
	DC14-0039	SHEET 10 OF 12

FNA PART NO. 7101975

WAYNE OIL BURNER PARTS LIST

BURNER SPEC. NO.

230-109BDC

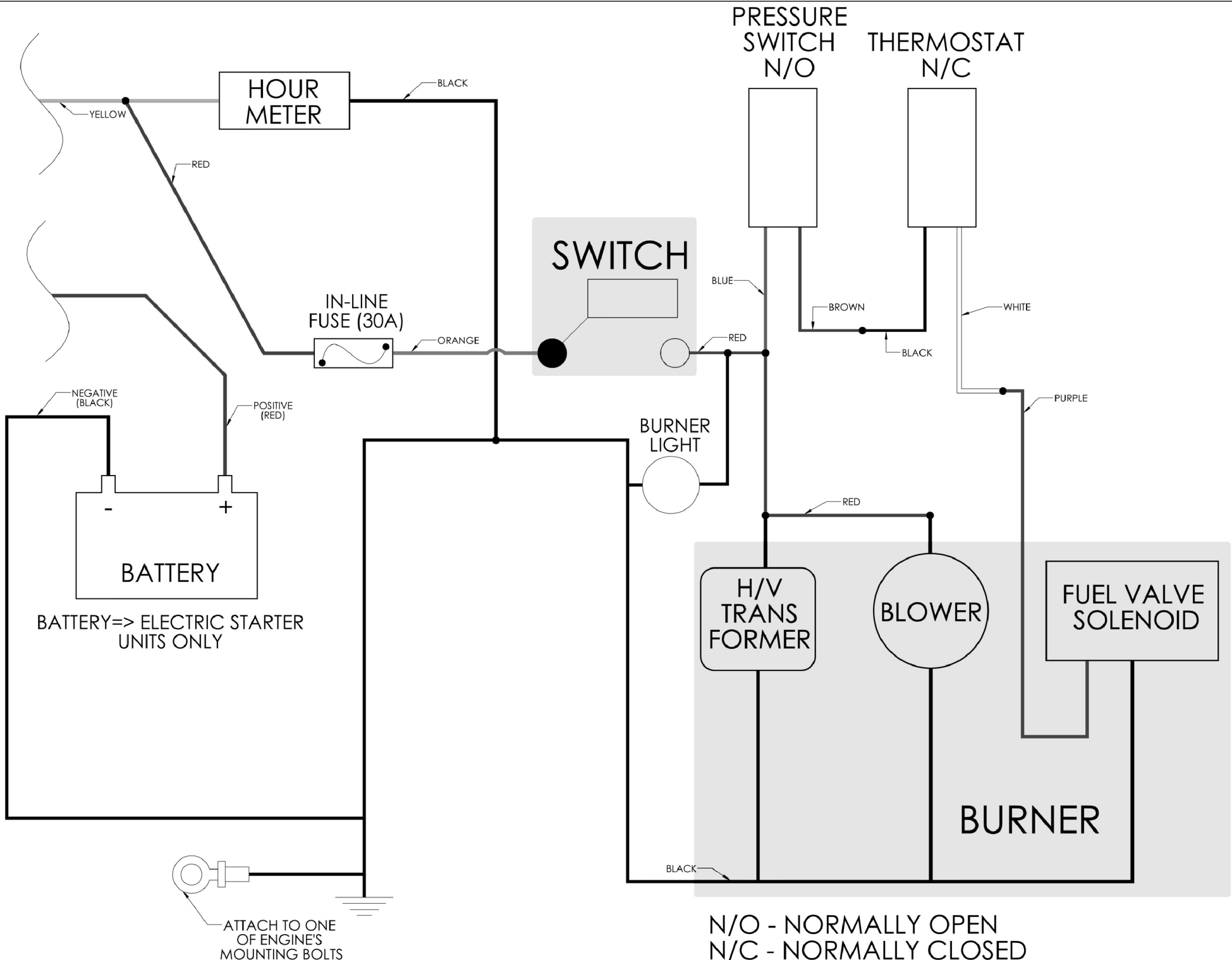
DESCRIPTION

MSR 3 3/4" 12VDC

ITEM	FNA PART NO.	DESCRIPTION	QTY
1	7102735	CONE,AIR-#3A	1
2	N/A	SCREW-AIR CONE MOUNTING	3
3	N/A	TUBE,FLANGE ASSEMBLY	1
4	7101781	GASKET,FLANGE-STD LARGE	1
5	N/A	HOUSING ASM-M MACHD/PAINTED	1
6	N/A	J-BOX,3" X 4"	1
7	N/A	COVER, J-BOX	1
8	7102732	GUN ASM-EHS/*1 1/4"BB	1
9	N/A	ADAPTOR,NOZZLE-W/LARGE SUPPORT	1
10	N/A	ELECTRODE SUPPORT KIT W/STABILIZER	1
11	N/A	DISC,STATIC 3" DIA-SOLID	1
12	7101711	KIT-ELECTRODE ASM PAIR	1
13	7101922	IGNITOR KIT-M 12VDC	1
14	7105399	MOTOR,12VDC LOW AMP/3950RPM	1
15	N/A	SIDEPLATE,HOUSING-12VDC MOTOR	1
16	7100331	FAN-2.44"W X 4.53"D M 5/16" BORE	1
17	7101521	COUPLING,FASCO 12VDC MOTOR	1
18	N/A	BAND,AIR INNER-MOD M	1
19	N/A	BAND,AIR OUTER 8-HOLE MOD-M	1
20	7102730	PUMP,SUNTEC A2VA7116 3GPH 1STG	1
21	7102733	VALVE,OIL-S R261N 12V/50-60	1
22	N/A	CONNECTOR,MALE PUMP 3/16" X 1/8" IPT	1
23	N/A	OIL LINE ASSEMBLY-6"	1
24	N/A	PLATE,HOUSING SLOT COVER	1
25	N/A	NUT,GUN LOCK-HEX 3/8-24 CRZC	1
26	N/A	SCREW-MOTOR, PUMP, AIR BAND	5

ECN # DC13-0232 REV. B FNA GROUP

SIZE A	DWG. NO. 60580-S	REV. B
SCALE: N/A	ECN# DC14-0039	SHEET 11 OF 12



N/O - NORMALLY OPEN
N/C - NORMALLY CLOSED

SIZE A	DWG. NO. 60580-S	REV. B
SCALE: N/A	ECN# DC14-0039	SHEET 12 OF 12